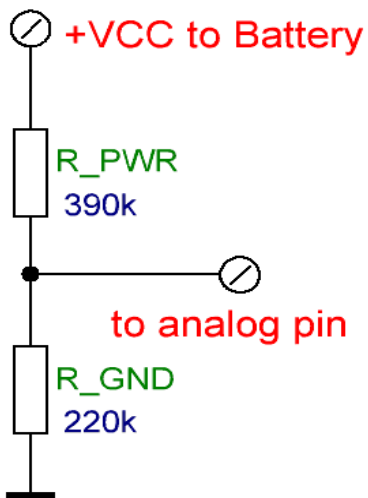


LED Projector Battery Value Calculator

Full Battery		
R_GND	220	k
R_PWR	390	k
VCC	12600	mV
Value		930

Low Battery		
R_GND	220	k
R_PWR	390	k
VCC	10500	mV
Value		775

Empty Battery		
R_GND	220	k
R_PWR	390	k
VCC	8500	mV
Value		627



Note:

Please enter the resistances R_GND and R_PWR you are using, and three voltages: a full, partially discharged and fully discharged battery. After that, the program will calculate the 10-bit digital value on the analog input pin using the 5V analog reference voltage using the following formula:

$$Val = 1023 * R_GND * VCC / (R_GND + R_PWR) / Vref$$

by Andro